

SETUP MANUAL

REFERENCE M5

Quick Guide



M5

Reference M5 Monitor Speaker

INTRODUCTION:

Thank you for your choice in purchasing our loudspeakers. The Reference M5 is the company's flagship compact monitor speaker designed by MODVO, a manufacturer that specializes in building loudspeakers.

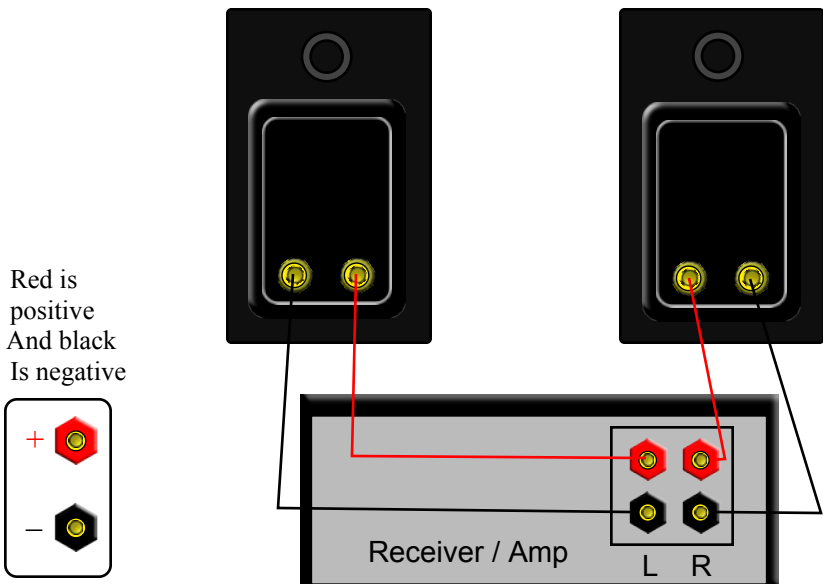
The M5 Monitor Speaker adds solid built quality and premium sound at an affordable price. This compact monitor speaker adds nearly full range sound thanks to its vented cabinet design. The sound that this speaker reproduces is clean, accurate and detail without being harsh or fatiguing to the ears. All the sound and quality you would expect from a speaker costing more.

PREPARING THE SPEAKERS:

Please read this entire manual before making any connections. Follow the steps below.

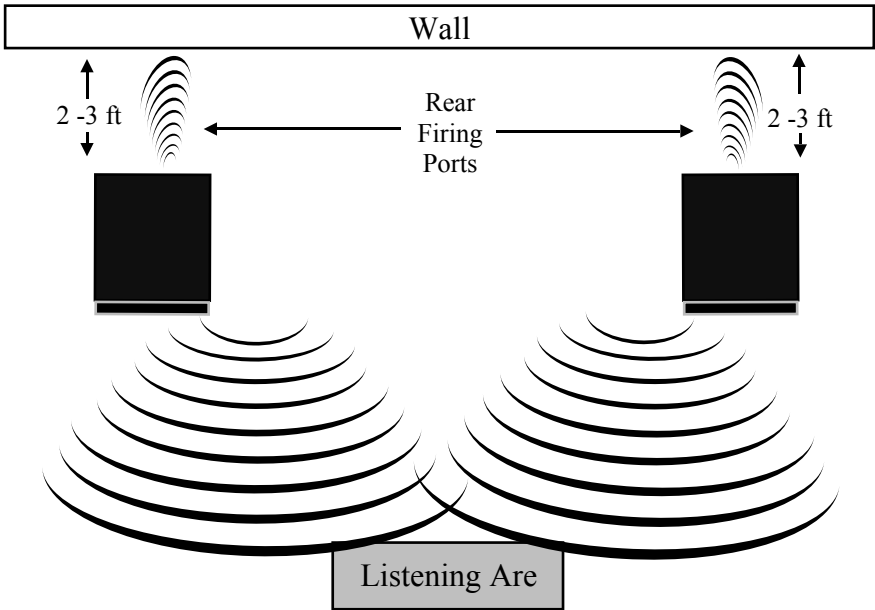
1. Before you hook-up your speakers, make sure your receiver/amplifier is powered off. Once your amplifier is off, you can begin hooking up your speakers to the amp.

There are two terminals on the rear of each satellite speaker, one red positive (+) and the other black negative (-). The positive terminal of your speaker should be connected to the positive lead of your amplifier / receiver and the negative terminal to the negative lead (as shown below). If you are going to use these speakers as main (front speakers) speakers on a 5.1 or 7.1 receiver, make sure they are connected to the front speaker leads (FT or Front L/R) as labeled on your receiver.



SETUP

Since The Reference M5 speaker is a rear vented/ported speaker, it should be placed 2 -3 feet from the wall to insure proper airflow from the rear firing ports. Depending on the size of your room, it is recommend to try different speaker placements until you achieve the desired sound. How far you place your speakers from the wall, will determine the bass response of them.



SPEAKER MAINTENANCE

For the life of your speakers, we recommend using reasonable power and volume level. These speakers are designed to be used with amplifiers with a maximum power of 100 watts per channel. To prevent burn-out or damage to the drivers, avoid setting bass level on max, half way is more reasonable for a speaker this size. This will prevent the speakers from clipping and bottoming out at high level of sound.

CABINET MAINTENANCE

The speaker cabinets should be treated the same way as a piece of furniture. Each speaker cabinet is finished in a gloss paint, which does not require any special cleaning. A simple lint-free cloth will work fine for cleaning. Do not use any liquid chemicals to clean, by doing so, this can streak the finish. No sharp object should be place on or near the speakers, by doing so, this will scratch the finish.

SYSTEM SPECIFICATION:

Monitor Speaker (each)

Cabinet Type: Vented

Drivers:

1-1/8" silk dome tweeter

5 1/2" Cast frame woofer with large rubber surround

Terminal Plate:

Binding post terminals

Ohms: 8

Power handling: 20 - 100 watts max

Frequency Response: 60 - 20,000Hz

Sensitivity: 87 dB (/2.83V/m)

Dimensions: 7" W x 11-3/4" H x 10"D

<p>If you have any problem on setting up your speakers, please feel free to Contact us. We will do our best to have your speakers sounding properly.</p>	<p>Contact Us Online Site: www.modvo.com Email: support@modvo.com Fb: facebook.com/modvo</p>
--	--

WWW.MODVO.COM